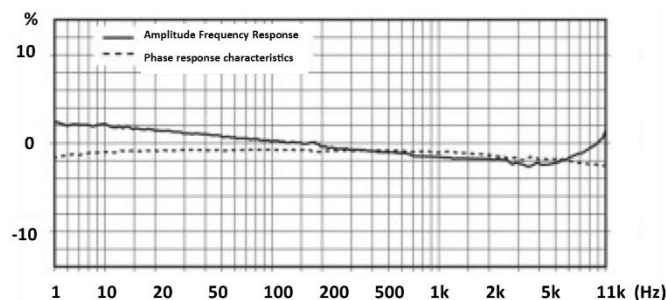
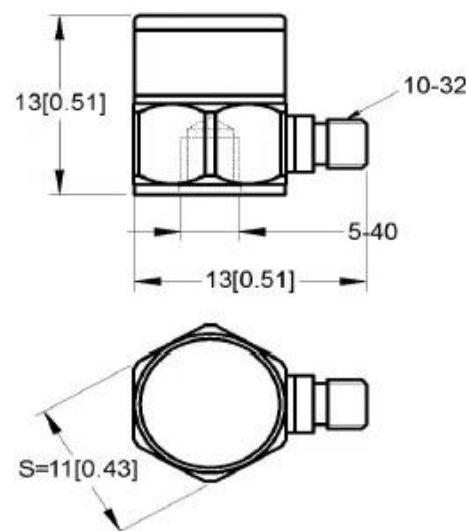


- Miniature cube IEPE Accelerometer
- Shear design
- Piezoelectric ceramic PZT-5
- Sensitivity – 100mV/g
- Mass – 3.9grams
- 10/32UNF side entry connector
- Tapped base mount

The MV100S-T is a miniature monoaxial IEPE accelerometer with a side entry 10/32UNF microdot connector and a tapped base for stud mounting. The low mass and standard microdot connector allow for the use of standard cables but reduced mass loading. Featuring a shear design PZT-5 sensing element the MV100S-T provides high accuracy with wide bandwidth up to 10kHz

| Specification               | Metric                      | Imperial      |
|-----------------------------|-----------------------------|---------------|
| Sensitivity                 | 10.2mV/(m/s <sup>2</sup> )  | 100mV/g       |
| Measurement Range (pk)      | ±490m/s <sup>2</sup>        | ±50g          |
| Frequency Range ±10%        | 1 to 10000 Hz               |               |
| Resonant Frequency          | ≥40 kHz                     |               |
| Non-Linearity               | ≤1 %                        |               |
| Transverse Sensitivity      | ≤5 %                        |               |
| Electrical Noise Floor      | 0.009m/s <sup>2</sup> rms   | 0.0009g rms   |
| Overload Limit (Shock)      | ±49000(m/s <sup>2</sup> )pk | ±5000gpk      |
| Operating Temp. Range       | -55 to +125°C               | -67 to +257°F |
| Polarity ↑                  | Positive                    |               |
| Compliance Voltage (Supply) | +18 to +28 VDC              |               |
| Current range               | 2 – 10mA                    |               |
| Output Bias Voltage         | 11VDC ± 1.5VDC              |               |
| Size (excluding connector)  | 11x13mm                     | 0.43"x0.51"   |
| Weight                      | 3.9gm                       | 0.138oz       |
| Sensing Geometry            | Shear                       |               |
| Sensing Element Material    | PZT-5                       |               |
| Case Material               | Titanium                    |               |
| Connector Position          | Side                        |               |
| Case sealing                | Hermetic                    |               |
| Electrical Connection Type  | 10/32UNF Microdot           |               |
| Mounting                    | 5-40UNC tapped base         |               |



Kemo has a range of cable assemblies available for use with the MV100S-T and other IEPE accelerometers.

1B2-30 – 3m(10ft) 10/32UNF microdot to BNC plug  
 1B2-50 – 5m(15ft) 10/32UNF microdot to BNC plug  
 1B1-30 – 3m(10ft) 10/32UNF mdot to 10/32UNFmdot  
 1B1-50 – 5m(15ft) 10/32UNF mdot to 10/32UNFmdot

### Kemo Limited

First Floor, 33 King Street, Theford, Norfolk, IP24 2AW, United Kingdom  
 +44 (0)1474 705168

[www.kemo.com](http://www.kemo.com) [sales@kemo.com](mailto:sales@kemo.com)