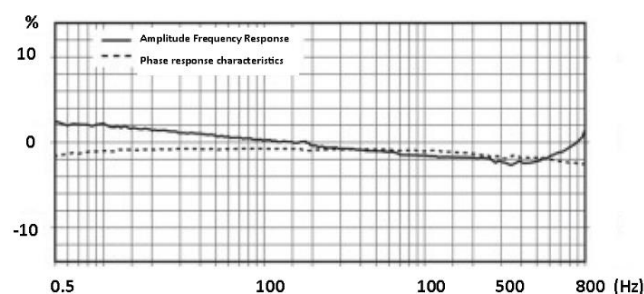
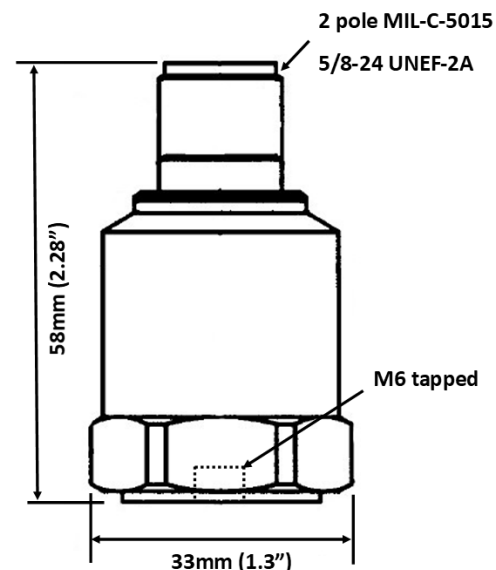


- High Sensitivity IEPE Accelerometer
- Shear design
- Piezoelectric ceramic PZT-5
- Sensitivity – 5V/g
- Mass – 200grams
- MIL-C-5015 top entry connector
- M6 Tapped base

The HV5KT-T is a high sensitivity monoaxial IEPE accelerometer with a top entry 2 pole MIL-C-5015 robust connector and a tapped base for stud mounting. Featuring a shear design PZT-5 sensing element the HV5KT-T is widely used in seismic, building surveys and other ground borne vibration studies.

Specification	Metric	Imperial
Sensitivity	0.5V/(m/s ²)	5V/g
Measurement Range (pk)	±9.81m/s ²	±1g
Frequency Range ±10%	0.3 to 800 Hz	
Resonant Frequency	≥8 kHz	
Non-Linearity	≤1 %	
Transverse Sensitivity	≤5 %	
Electrical Noise Floor	0.00002m/s ² rms	0.000002g rms
Overload Limit (Shock)	±4900(m/s ²)pk	±500gpk
Operating Temp. Range	-55 to +125°C	-67 to +257°F
Polarity ↑	Positive	
Compliance Voltage (Supply)	+18 to +28 VDC	
Current range	2 – 10mA	
Output Bias Voltage	11VDC ± 1.5VDC	
Output Impedance	≤100Ω	
Size (excluding connector)	33mmA/Fx58 mm	1.3"A/Fx2.28"
Weight	200gm	7.05oz
Sensing Geometry	Shear	
Sensing Element Material	PZT-5	
Case Material	Titanium	
Connector Position	Top	
Case sealing	Hermetic	
Electrical Connection Type	MIL-C-5015	
Mounting	M6 Tapped base for stud mount	



Cables for use with HV5KT-T

- 14C2-50 – 5m cable, RG58 cable, MIL-C-5015 2 pin connector to BNC plug
- 14C2-100 – 10m cable, RG58 cable, MIL-C-5015 2 pin connector to BNC plug

Cables of any length available

Kemo Limited

First Floor, 33 King Street, Theford, Norfolk, IP24 2AW, United Kingdom
+44 (0)1474 705168

www.kemo.com sales@kemo.com

Iss.2 – September 2023