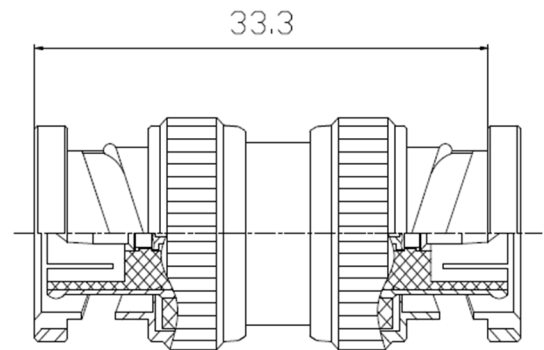


- Compact short design
- BNC inline joiner
- 2 x BNC male plugs
- Quality long life
- Nickel plated brass body
- Gold plated conductor/pin



The Kemo KBBP-A joiner is a compact and high quality joiner widely used in data acquisition and sensor measurement applications. Featuring 2 male sockets in line this connector is ideal for joining multiple cables or connecting BNC sockets directly to a measuring instrument.

The body is made from brass and is fully nickel plated and the critical signal connections are gold plated.



Dimensions in mm

| Variable                           | Value               |
|------------------------------------|---------------------|
| <b>Electrical</b>                  |                     |
| Impedance                          | 50Ω                 |
| Frequency Range                    | 0 ~ 1GHz            |
| Working Voltage (max.)             | 500V max            |
| Withstand Voltage                  | 1500Vrms            |
| Insulation Resistance              | ≥5000MΩ             |
| VSWR (Voltage Standing Wave Ratio) | ≤1.22               |
| <b>Physical</b>                    |                     |
| Body                               | Nickel Plated Brass |
| Centre Conductor                   | Gold plated brass   |
| Insulator                          | PTFE                |
| Temperature Range                  | -55°C to +155°C     |
| Durability                         | >500 connections    |

Due to continued product development Kemo Limited reserve the right to change specification without notice.

### Kemo Limited

First Floor, 33 King Street, Thetford, Norfolk, IP24 2AW, United Kingdom

+44 (0)1474 705168

[www.kemo.com](http://www.kemo.com) [sales@kemo.com](mailto:sales@kemo.com)