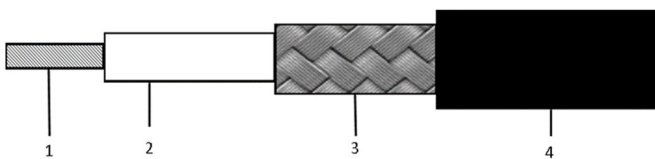
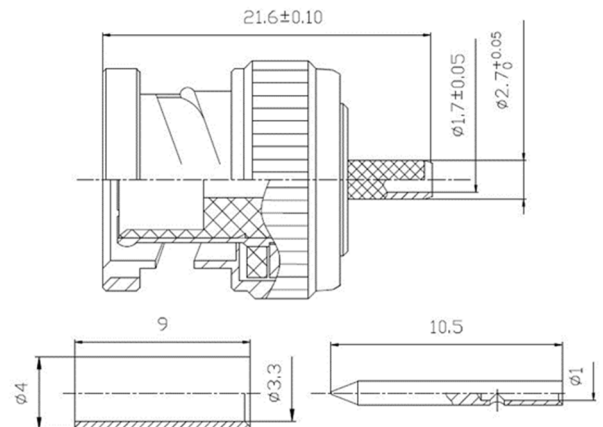


- Screened RG58 coaxial DAQ/sensor cable – MIL-C-17
- PVC Jacket
- -40°C to +80°C range
- Ideal for extension cables
- Ideal for Voltage signals/DAQ
- Black jacket colour
- Nominal diameter 5mm
- BNC Plug (male) to BNC Plug (male)
- Length 10m±5%



BNC Plug	
Electrical	Value
Impedance	50Ω
Frequency Range	0 ~ 3GHz
Working Voltage (max.)	500V max
Withstand Voltage	1500Vrms
Insulation Resistance	≥5000MΩ
VSWR (Voltage Standing Wave Ratio)	≤1.22
Physical	
Body	Nickel Plated Brass
Centre Conductor	Gold plated brass
Insulator	PTFE
Crimping body	Nickel plated copper alloy
Temperature Range	-55°C to +155°C
Durability	>500 connections



Cable Electrical Properties	Value
Impedance @200MHz	50 ±5Ω
Capacitance	100 ±5 pF/m
Max. Attenuation	59dB/100m @1GHz (±15%)
Temp rating	-40°C to +80°C

Layer	Description	Material	Overall diameter
1	Central conductor – multi strand	Stranded tinned Copper	Nom. 19x0.18
2	Dielectric/Insulation	SPE	2.95mm ±0.10mm
3	Screen/Outer conductor	Tinned Copper	Nom.3.58mm
4	Outer jacket	PVC (black)	5mm ±0.10mm

Due to continued product development Kemo Limited reserve the right to change specification without notice.

Kemo Limited

First Floor, 33 King Street, Thetford, Norfolk, IP24 2AW, United Kingdom
+44 (0)1474 705168

www.kemo.com sales@kemo.com