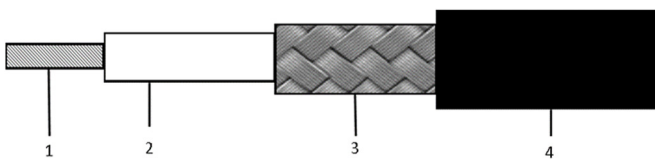
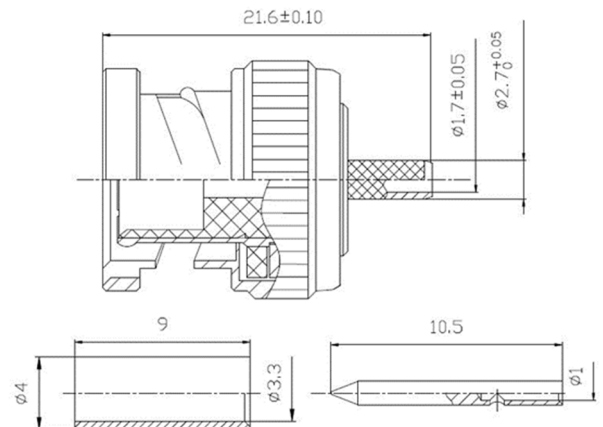


- Screened RG58 coaxial DAQ/sensor cable – MIL-C-17
- PVC Jacket
- -40°C to +80°C range
- Ideal for extension cables
- Ideal for Voltage signals/DAQ
- Black jacket colour
- Nominal diameter 5mm
- BNC Plug (male) to BNC Plug (male)
- Length 1m±5%



| BNC Plug                           |                            |
|------------------------------------|----------------------------|
| Electrical                         | Value                      |
| Impedance                          | 50Ω                        |
| Frequency Range                    | 0 ~ 3GHz                   |
| Working Voltage (max.)             | 500V max                   |
| Withstand Voltage                  | 1500Vrms                   |
| Insulation Resistance              | ≥5000MΩ                    |
| VSWR (Voltage Standing Wave Ratio) | ≤1.22                      |
| Physical                           |                            |
| Body                               | Nickel Plated Brass        |
| Centre Conductor                   | Gold plated brass          |
| Insulator                          | PTFE                       |
| Crimping body                      | Nickel plated copper alloy |
| Temperature Range                  | -55°C to +155°C            |
| Durability                         | >500 connections           |



| Cable Electrical Properties | Value                  |
|-----------------------------|------------------------|
| Impedance @200MHz           | 50 ±5Ω                 |
| Capacitance                 | 100 ±5 pF/m            |
| Max. Attenuation            | 59dB/100m @1GHz (±15%) |
| Temp rating                 | -40°C to +80°C         |

| Layer | Description                      | Material               | Overall diameter |
|-------|----------------------------------|------------------------|------------------|
| 1     | Central conductor – multi strand | Stranded tinned Copper | Nom. 19x0.18     |
| 2     | Dielectric/Insulation            | SPE                    | 2.95mm ±0.10mm   |
| 3     | Screen/Outer conductor           | Tinned Copper          | Nom.3.58mm       |
| 4     | Outer jacket                     | PVC (black)            | 5mm ±0.10mm      |

Due to continued product development Kemo Limited reserve the right to change specification without notice.

### Kemo Limited

First Floor, 33 King Street, Thetford, Norfolk, IP24 2AW, United Kingdom  
+44 (0)1474 705168

[www.kemo.com](http://www.kemo.com) [sales@kemo.com](mailto:sales@kemo.com)