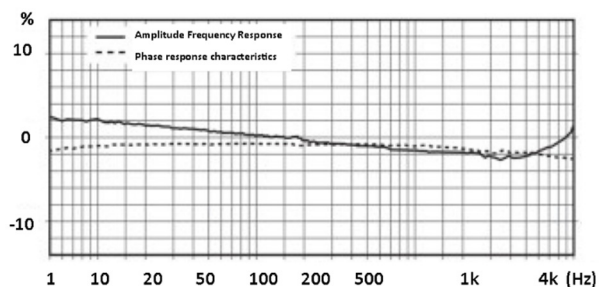
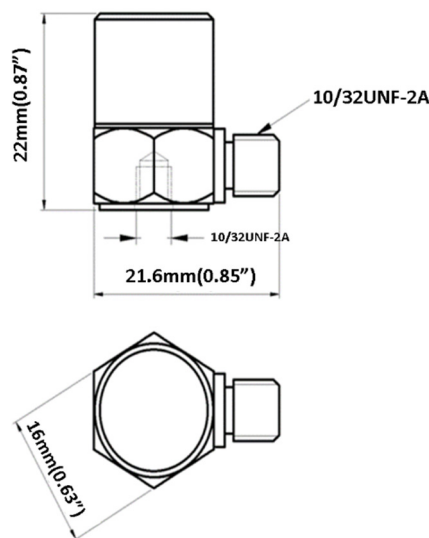


- General Purpose IEPE Accelerometer
- Shear design
- Piezoelectric ceramic PZT-5
- Sensitivity – 500mV/g
- Mass – 22.3grams
- 10-32UNF side entry connector
- 10-32UNF Tapped base

The GV500S-T is a general purpose monoaxial IEPE accelerometer with a side entry 10/32UNF microdot connector and a tapped base for stud mounting. Featuring a shear design PZT-5 sensing element the GV500S-T is widely used a control accelerometer for vibration shaker testing as well as general vibration measurements where mass is less of an issue.

| Specification               | Metric                              | Imperial       |
|-----------------------------|-------------------------------------|----------------|
| Sensitivity                 | 51mV/(m/s <sup>2</sup> )            | 500mV/g        |
| Measurement Range (pk)      | ±98m/s <sup>2</sup>                 | ±10g           |
| Frequency Range ±10%        | 0.5 to 4000 Hz                      |                |
| Resonant Frequency          | ≥25 kHz                             |                |
| Non-Linearity               | ≤1 %                                |                |
| Transverse Sensitivity      | ≤5 %                                |                |
| Electrical Noise Floor      | 0.0002m/s <sup>2</sup> rms          | 0.00002g rms   |
| Overload Limit (Shock)      | ±49000(m/s <sup>2</sup> )pk         | ±5000gpk       |
| Operating Temp. Range       | -55 to +125°C                       | -67 to +257°F  |
| Polarity ↑                  | Positive                            |                |
| Compliance Voltage (Supply) | +18 to +28 VDC                      |                |
| Current range               | 2 – 10mA                            |                |
| Output Bias Voltage         | 11VDC ± 1.5VDC                      |                |
| Output Impedance            | ≤100Ω                               |                |
| Size (excluding connector)  | 16mmA/Fx22 mm                       | 0.63"A/Fx0.87" |
| Weight                      | 22.3gm                              | 0.78oz         |
| Sensing Geometry            | Shear                               |                |
| Sensing Element Material    | PZT-5                               |                |
| Case Material               | Titanium                            |                |
| Connector Position          | Side                                |                |
| Case sealing                | Hermetic                            |                |
| Electrical Connection Type  | 10-32UNF Microdot                   |                |
| Mounting                    | 10-32UNF Tapped base for stud mount |                |



Kemo has a range of cable assemblies available for use with the GV500S-T and other IEPE accelerometers.

1B2-30 – 3m(10ft) 10/32UNF microdot to BNC plug  
 1B2-50 – 5m(15ft) 10/32UNF microdot to BNC plug  
 1B1-30 – 3m(10ft) 10/32UNFmdot to 10/32UNFmdot  
 1B1-50 – 5m(15ft) 10/32UNFmdot to 10/32UNFmdot

**Kemo Limited**

Unit 1, Dene Yard  
 Green Street Green Road,  
 Dartford, Kent. DA2 8DH

[www.kemo.com](http://www.kemo.com) [sales@kemo.com](mailto:sales@kemo.com)

Iss.2 – December 2023