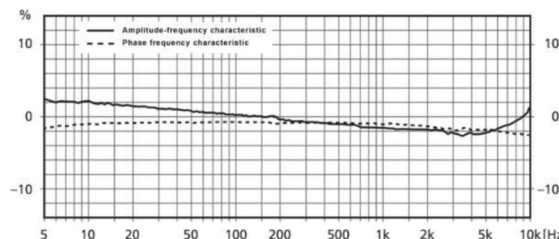
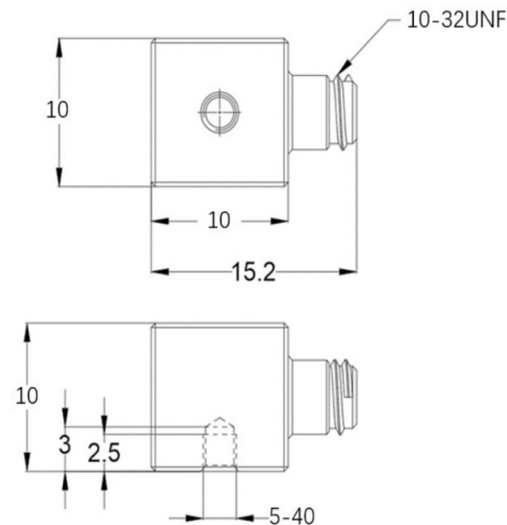


- Miniature cube IEPE Accelerometer
- Shear design
- Piezoelectric ceramic PZT-5
- Sensitivity – 100mV/g
- Mass – 4.5grams
- 10/32UNF side entry connector
- Tapped base mount

The MV100S-C is a miniature monoaxial IEPE accelerometer with a side entry 10/32UNF microdot connector and a tapped base for stud mounting. It's cube shape also allows for mounting on other surfaces via adhesive. Featuring a shear design PZT-5 sensing element the MV100S-C provides high accuracy with wide bandwidth up to 9kHz and is well suited to Modal test applications

Specification	Metric	Imperial
Sensitivity	10.2mV/(m/s <sup>2</sup> )	100mV/g
Measurement Range (pk)	±490m/s <sup>2</sup>	±50g
Frequency Range ±10%	1 to 9000 Hz	
Resonant Frequency	≥30 kHz	
Non-Linearity	≤1 %	
Transverse Sensitivity	≤5 %	
Electrical Noise Floor	0.01m/s <sup>2</sup> rms	0.001g rms
Overload Limit (Shock)	±19600(m/s <sup>2</sup> )pk	±2000gpk
Operating Temp. Range	-55 to +125°C	-67 to +257°F
Polarity ↑	Positive	
Compliance Voltage (Supply)	+18 to +28 VDC	
Current range	2 – 10mA	
Output Bias Voltage	11VDC ± 1.5VDC	
Size (excluding connector)	10x10x10mm	0.39"x0.39"x0.39"
Weight	4.5gm	0.16oz
Sensing Geometry	Shear	
Sensing Element Material	PZT-5	
Case Material	Titanium	
Connector Position	Side	
Case sealing	Hermetic	
Electrical Connection Type	10/32UNF Microdot	
Mounting	5-40UNC tapped base	



Kemo has a range of cable assemblies available for use with the MV100S-C and other IEPE accelerometers.

- 1B2-30 – 3m(10ft) 10/32UNF microdot to BNC plug
- 1B2-50 – 5m(15ft) 10/32UNF microdot to BNC plug
- 1B1-30 – 3m(10ft) 10/32UNF mdot to 10/32UNFmdot
- 1B1-50 – 5m(15ft) 10/32UNF mdot to 10/32UNFmdot

### Kemo Limited

Unit 1, Dene Yard  
Green Street Green Road,  
Dartford, Kent. DA2 8DH

[www.kemo.com](http://www.kemo.com) [sales@kemo.com](mailto:sales@kemo.com)