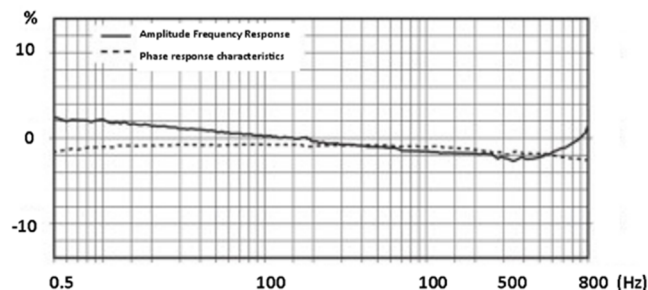
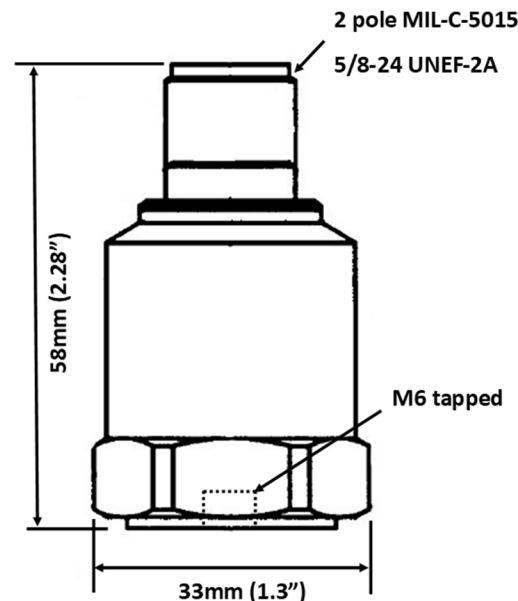


- High Sensitivity IEPE Accelerometer
- Shear design
- Piezoelectric ceramic PZT-5
- Sensitivity – 2V/g
- Mass – 200grams
- MIL-C-5015 top entry connector
- M6 Tapped base

The HV2KT-T is a high sensitivity monoaxial IEPE accelerometer with a top entry 2 pole MIL-C-5015 robust connector and a tapped base for stud mounting. Featuring a shear design PZT-5 sensing element the HV2KT-T is widely used in seismic, building surveys and other ground borne vibration studies.

Specification	Metric	Imperial
Sensitivity	204mV/(m/s <sup>2</sup> )	2V/g
Measurement Range (pk)	±24.5m/s <sup>2</sup>	±2.5g
Frequency Range ±10%	0.3 to 800 Hz	
Resonant Frequency	≥8 kHz	
Non-Linearity	≤1 %	
Transverse Sensitivity	≤5 %	
Electrical Noise Floor	0.0005m/s <sup>2</sup> rms	0.000005g rms
Overload Limit (Shock)	±4900(m/s <sup>2</sup> )pk	±500gpk
Operating Temp. Range	-55 to +125°C	-67 to +257°F
Polarity ↑	Positive	
Compliance Voltage (Supply)	+18 to +28 VDC	
Current range	2 – 10mA	
Output Bias Voltage	11VDC ± 1.5VDC	
Output Impedance	≤100Ω	
Size (excluding connector)	33mmA/Fx58 mm	1.3" A/Fx2.28"
Weight	200gm	7.05oz
Sensing Geometry	Shear	
Sensing Element Material	PZT-5	
Case Material	Titanium	
Connector Position	Top	
Case sealing	Hermetic	
Electrical Connection Type	MIL-C-5015	
Mounting	M6 Tapped base for stud mount	



Cables for use with HV2KT-T

**14C2-50** – 5m cable, RG58 cable, MIL-C-5015 2 pin connector to BNC plug

**14C2-100** – 10m cable, RG58 cable, MIL-C-5015 2 pin connector to BNC plug

Cables of any length available

**Kemo Limited**

Unit 1, Dene Yard  
Green Street Green Road,  
Dartford, Kent. DA2 8DH

[www.kemo.com](http://www.kemo.com) [sales@kemo.com](mailto:sales@kemo.com)