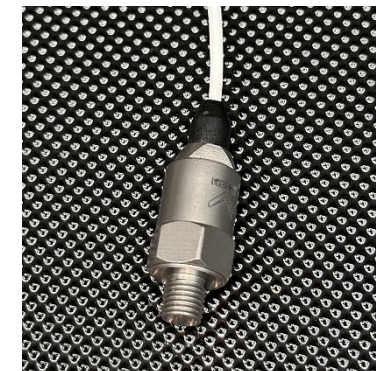
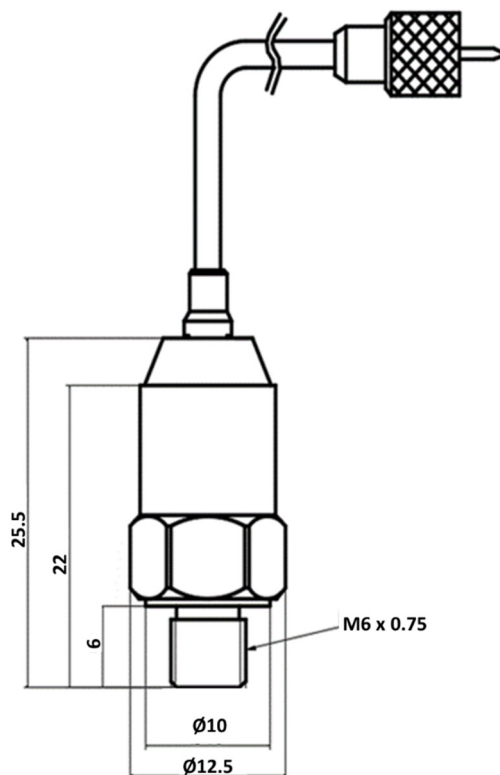


- Shock Piezoelectric Accelerometer
- Shear design
- Piezoelectric ceramic PZT-5
- Sensitivity – 0.2pC/g
- Range ±50,000g
- 0.5m Integral cable
- Use with a Low noise cable

The CS-50K is a monoaxial piezoelectric charge output accelerometer specifically developed for shock testing applications. With a measurement range of ±50,000g it is well suited to harsh environment applications. The integral cable ensures minimal electrical connection issues and a reliable response. Kemo offers a range of low noise extension cables for use with the CS-50K in addition to low noise charge amplifier solutions for conversion of the charge output to voltage.

Specification	Metric	Imperial
Sensitivity	0.02pC/(m/s ²)	0.2pC/g
Measurement Range (pk)	±490,000m/s ²	±50000g
Frequency Range ±10%	11000 Hz	
Resonant Frequency	≥30 kHz	
Non-Linearity	≤1 %	
Transverse Sensitivity	≤5 %	
Overload Limit (Shock)	±784,000(m/s ²)pk	±80000gpk
Operating Temp. Range	-40 to +85°C	-40 to +185°F
Isolation	Case isolated	
Capacitance	110 pF	
Isolation Impedance	≥100GΩ	
Size (excluding connector)	12.5(A/F)x19.5mm	0.49"(A/F)x0.77"
Weight	9gm	0.32oz
Sensing Geometry	Shear	
Sensing Element Material	PZT-5	
Case Material	Titanium	
Connector Position	Top	
Case sealing	Welded	
Electrical Connection Type	0.5m Int. cable with 10/32UNF microdot plug	
Mounting Thread (tapped base)	M6 x 0.75	
Mounting Torque	3Nm	26in/lb



It is recommended that the CS-50K is used with a low noise cable from Kemo's range to reduce triboelectric noise.

11A2-30 – 3m(10ft) 10/32UNF microdot socket to BNC plug
 11A2-50 – 5m(15ft) 10/32UNF microdot socket to BNC plug
 11A1-30 – 3m(10ft) 10/32UNFmdot socket to 10/32UNFmdot
 11A1-50 – 5m(15ft) 10/32UNFmdot socket to 10/32UNFmdot