

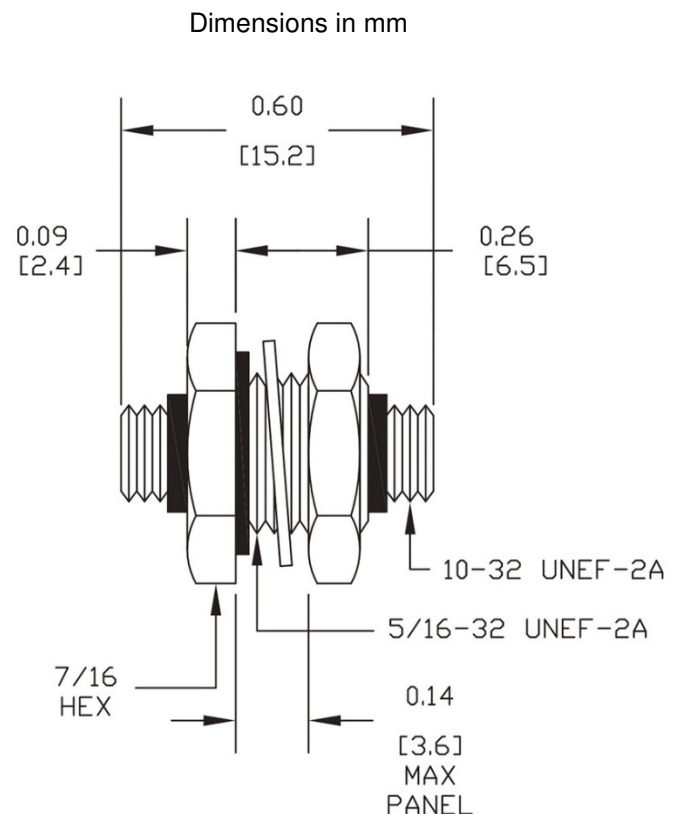
- Compact design
- 10/32 UNF Microdot
- 10/32 UNF Microdot
- Bulkhead Joiner
- Quality long life
- Gold plated conductor/pin
- PTFE insulator



The 10/32UNF Microdot to Microdot socket bulkhead joiner is a compact and high quality joiner widely used in data acquisition and sensor measurement applications. The bulkhead mount provides an ideal way to breakthrough a panel or other interface plate.

The 10/32UNF Microdot sockets are universal fit to suit all 10/32UNF Microdot plugs on the market. The critical pin connections are gold plated.

The body and nut are made from brass with nickel plating and the insulator is PTFE. All KMM-B are supplied with a silicone rubber 'O' ring for sealing purposes.



Due to continued product development Kemo Limited reserve the right to change specification without notice.