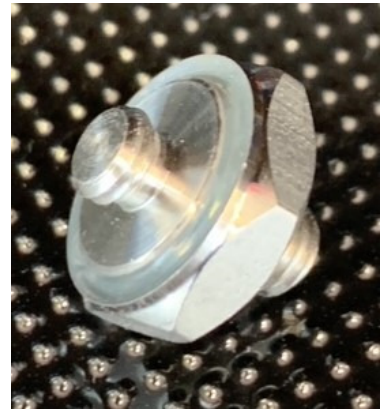


- Electrically isolated
- Lightweight
- Stainless Steel
- -70°C to +200°C range
- 10/32UNF to M5
- 13mm Across flats



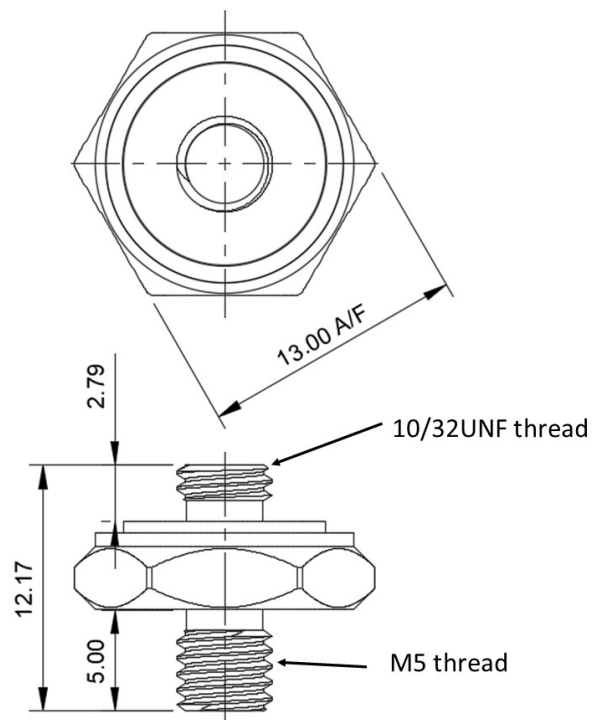
The KMISO-S2 is an isolated mounting stud for use with accelerometers.

The electrical isolation eliminates ground loop issues commonly caused when instrumentation within a measurement system is earthed differently. This is normally seen as a 50Hz (or 60Hz) high amplitude frequency spike in the data analysis.

The KMISO-S2 has a 10/32UNF thread for fitting to the accelerometer and an M5 thread for mounting of the isolated stud which includes a PTFE washer to ensure complete electrical isolation.

The body of the stud is made from stainless steel and uses high strength high temperature epoxy to join the stud.

Recommended mounting torque: 1.2Nm



Due to continued product development Kemo Limited reserve the right to change specification without notice.