

- Isolated PTFE
- Bulkhead mount (feedthrough)
- Nickel plated body
- BNC socket
- Mounting nut and seal provided
- Gold plated center conductor



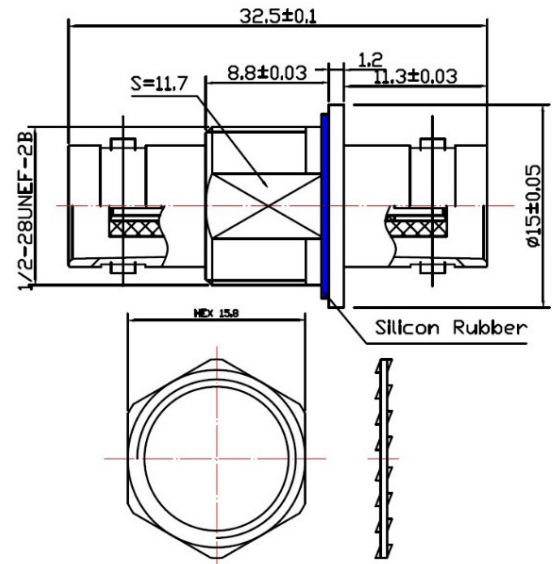
Dimensions in mm

The KMBBI is a high quality isolated BNC to BNC bulkhead adaptor (also referred to as a feedthrough).

Ideal for use in junction boxes it provides complete electrical isolation for the signal connection from the mounting surface. BNC socket on both sides, featuring a gold plated central conductor for quality signal transmission.

Used by Kemo Ltd in its own range of junction box solutions it

Stock item



Variable	Value
Electrical	
Impedance	75Ω
Frequency Range	0 ~ 4GHz
Working Voltage (max.)	500V max
Withstand Voltage	1500Vrms
Insulation Resistance	≥5000MΩ
VSWR (Voltage Standing Wave Ratio)	≤1.22
Physical	
Body	Nickel Plated Brass
Centre Conductor	Gold plated brass
Insulator	PTFE
'O' Ring seal	6146 silastic
Temperature Range	-55°C to +155°C
Durability	>500 connections

Due to continued product development Kemo Limited reserve the right to change specification without notice.